

Removal & Installation and Disassembly & Reassembly

1. REMOVE OXYGEN SENSOR

- (a) Disconnect the oxygen sensor connector.
- (b) Remove the oxygen sensor.

2. REMOVE EXHAUST PIPE NO.1 SUPPORT BRACKET

- (a) Remove the 2 nuts and support bracket.

3. REMOVE EXHAUST PIPE NO.1 SUPPORT BRACKET

- (a) Remove the 2 bolts and support bracket.

4. REMOVE EXHAUST PIPE ASSY FRONT

5. REMOVE FLOOR PANEL BRACE REAR

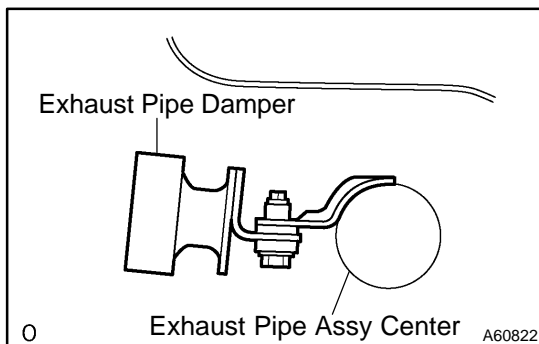
- (a) Remove the 2 bolts and floor panel brace rear.

6. REMOVE EXHAUST PIPE ASSY CENTER

7. REMOVE EXHAUST PIPE DAMPER(A/T TRANSAXLE)

8. REMOVE TAIL PIPE ASSY

9. INSTALL TAIL PIPE ASSY



10. INSTALL EXHAUST PIPE DAMPER(A/T TRANSAXLE)

- (a) Install the exhaust pipe damper with the 2 bolts.
Torque: 19 N·m (194 kgf·cm, 14 ft·lbf)

HINT:

Be careful not to install the damper in the wrong direction.

11. INSTALL EXHAUST PIPE ASSY CENTER

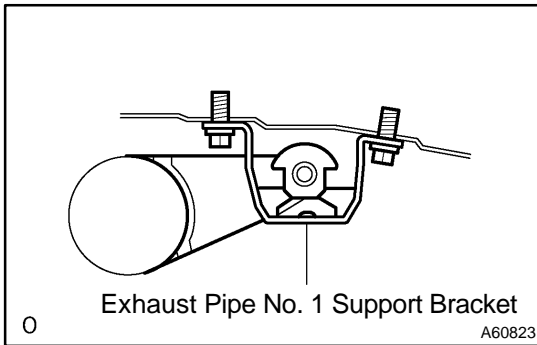
- (a) Install a new gasket and the center pipe to the tail pipe.
Torque: 56 N·m (571 kgf·cm, 41 ft·lbf)

12. INSTALL FLOOR PANEL BRACE REAR

Torque: 19.5 N·m (199 kgf·cm, 14 ft·lbf)

13. INSTALL EXHAUST PIPE ASSY FRONT

- (a) Install a new gasket, install front pipe to center pipe.
Torque: 56 N·m (571 kgf·cm, 41 ft·lbf)
- (b) Install a new gasket and the front pipe to exhaust manifold converter.
Torque: 62 N·m (633 kgf·cm, 46 ft·lbf)

**14. INSTALL EXHAUST PIPE NO.1 SUPPORT BRACKET**

- (a) Install the exhaust pipe No. 1 support bracket with the 2 bolts.

Torque: 33 N·m (337 kgf·cm, 24 ft·lbf)

HINT:

Be careful not to install the damper in the wrong direction.

15. INSTALL EXHAUST PIPE NO.1 SUPPORT BRACKET

Torque: 33 N·m (337 kgf·cm, 24 ft·lbf)

16. INSTALL OXYGEN SENSOR

Torque: 44 N·m (450 kgf·cm, 33 ft·lbf)

17. CHECK EXHAUST GAS LEAK

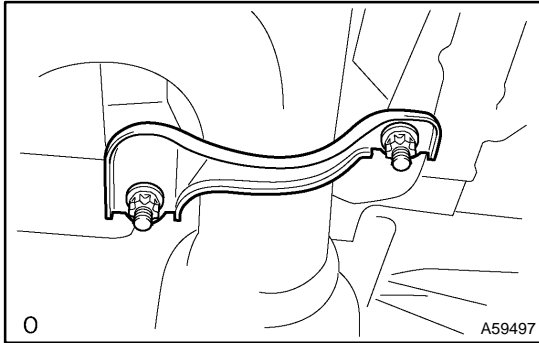
Removal & Installation and Disassembly & Reassembly

1. REMOVE OXYGEN SENSOR

- (a) Disconnect the oxygen sensor connector.
- (b) Remove the oxygen sensor.

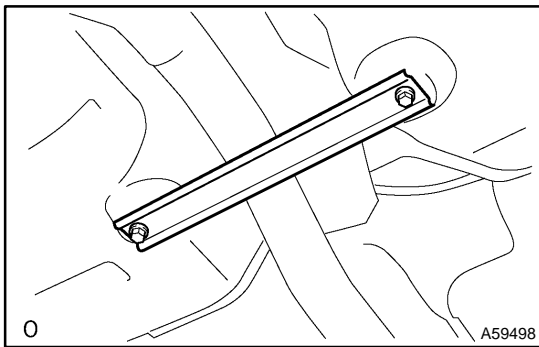
2. REMOVE OXYGEN NO.2 SENSOR

- (a) Disconnect the oxygen sensor connector.
- (b) Remove the oxygen sensor.



3. REMOVE EXHAUST PIPE NO.1 SUPPORT BRACKET

- (a) Remove the 2 nuts and remove the support bracket.



4. REMOVE FLOOR PANEL BRACE REAR

- (a) Remove the 2 bolts and remove the floor panel brace rear.

5. REMOVE EXHAUST PIPE NO.1 SUPPORT BRACKET

6. REMOVE EXHAUST PIPE ASSY FRONT

7. REMOVE EXHAUST PIPE ASSY CENTER

8. REMOVE TAIL PIPE ASSY

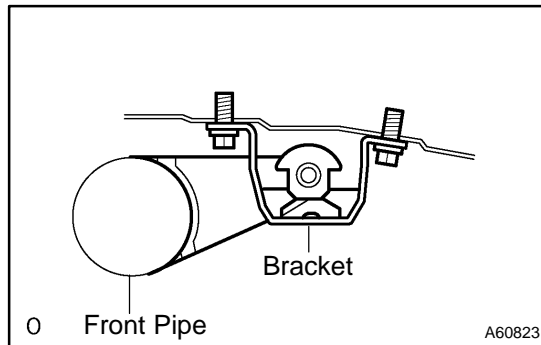
9. INSTALL TAIL PIPE ASSY

10. INSTALL EXHAUST PIPE ASSY CENTER

- (a) Install a new gasket and the center pipe to the tail pipe.
Torque: 56 N·m (571 kgf·cm, 41 ft·lbf)

11. INSTALL EXHAUST PIPE ASSY FRONT

- (a) Install a new gasket and the front pipe to the exhaust manifold RH.
Torque: 62 N·m (633 kgf·cm, 46 ft·lbf)
- (b) Install a new gasket and the front pipe to the exhaust manifold converter No.2.
Torque: 62 N·m (633 kgf·cm, 46 ft·lbf)
- (c) Install a new gasket and the front pipe to the center pipe.
Torque: 56 N·m (571 kgf·cm, 41 ft·lbf)

**12. INSTALL EXHAUST PIPE NO.1 SUPPORT BRACKET**

Torque: 33 N·m (337 kgf·cm, 24 ft·lbf)

HINT:

Be careful not to install the bracket in the wrong direction.

13. INSTALL FLOOR PANEL BRACE REAR

Torque: 20 N·m (199 kgf·cm, 14 ft·lbf)

14. INSTALL EXHAUST PIPE NO.1 SUPPORT BRACKET

Torque: 33 N·m (337 kgf·cm, 24 ft·lbf)

15. INSTALL OXYGEN SENSOR

Torque: 44 N·m (449 kgf·cm, 32 ft·lbf)

16. INSTALL OXYGEN NO.2 SENSOR

Torque: 44 N·m (449 kgf·cm, 32 ft·lbf)

17. CHECK EXHAUST GAS LEAK